



ICS Electronics Ltd. specialise in GMDSS systems for ships, yachts and coast stations. We are a major manufacturer of commercial and leisure NAVTEX receivers and have supplied many NAVTEX broadcasting systems world-wide.

## High quality GPS and Instrument NMEA Repeater

Whether installed down below or at the helm, the NAV6 repeater will display all the information needed to safely navigate your vessel.



View any of nine bright clear navigation screens

### FEATURES

- ▶ Instrument repeater capable of displaying data in a choice of formats.
- ▶ Standard NMEA 0183 interface
- ▶ 4 input NMEA combiner option
- ▶ When connected to a NAV6 plus and NAV6 Hub, NAVTEX information is also displayed.
- ▶ 256 entry log book
- ▶ Interfaces to a PC or printer
- ▶ Inside or outside mounting
- ▶ View any of nine bright clear navigation screens

Four **User Views** can show either 2, 3 or 4 panels. Each panel can show different navigation information from a range of NMEA inputs.

### Position View

Shows: GPS Information, Position, COG and SOG, Depth reading and Distance log.

### Combined View

Shows all NMEA input data on one screen.

### Waypoint View

Shows a 'rolling road' display of the boat's position and course relative to the planned track.

### Conning Display

Shows overlapping vectors for Heading, Course Over the Ground, Set (a combination of leeway and tide) and wind. All these vectors are shown relative to the current heading and displayed in digital form. The wind vector displays variable tail patterns according to the strength of the wind. It follows standard meteorological rules.

To take into account various sea states, variable damping levels may be selected.

# NAV6 NMEA Repeater Technical Overview



## TECHNICAL SPECIFICATION

### Physical

Height 198mm  
Width 136mm  
Depth 40mm  
Operating Temperature Range 0 to +50degC  
Humidity 0 to 95% non-condensing.  
Weight (without cable) 445 g (approx.)

### Display type

1/2vga (480 x 320 pixels) 6" monochrome LCD with 4 grey levels and backlight.

### Controls

4 x function keys, 4 x navigation keys

### Environmental

Inside / outside mounting  
Waterproof to IEC945 (exposed category)  
Connection, 1m cable with screw terminal  
CE marked

### Mounting

Panel 'instrument' mounting (standard)  
'U' bracket on surface mount (option)

### Power requirements

Voltage range 10.8V to 15.6V  
Consumption (typical)  
210mA (2.5W at 12V)

### Data input

NMEA input ports, meets the electrical requirements of NMEA 0183.

NMEA GPS/Instrument system interface supports NMEA 0183 V2.0 or higher.

Preferred NMEA sentences: RMC, HDT, HDG, VBW, MWV, VLW, DPT, ROT, VDR, RMB and BWC

### Data output

RS232 serial data, supports the printing of vessel 'Log reports' and NAVTEX message text to NAV6 *printer* or a computer system

### NMEA data logging

Saves up to 256 log records.

### Log interval

Off, 15,20,30 mins, 1,2,3,4,5,6,12 hours

## Order code

916.03 NAV6repeater NMEA GPS/instrument repeater display.

## Options

6020.03 Sun cover

6020.00 U- bracket on surface 3 way mounting kit

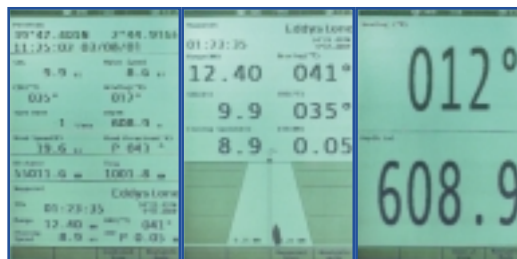
919.00 NAV6hub for interconnecting multi-repeater systems, 1 x NMEA 0183 input.

919.01 NAV6hub for interconnecting multi-repeater systems, 4 x NMEA 0183 input.

6020.22 10m repeater display cable extension kit.

6020.23 30m repeater display cable extension kit.

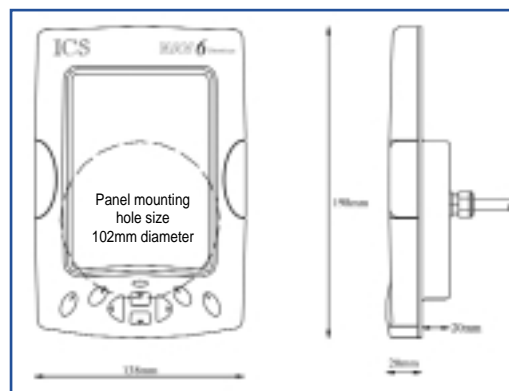
6010.04 Dual Channel NAVTEX Sensor



Combined View

Waypoint View

User View



Available from:

ICS Electronics has a policy of continuous product improvement and reserve the right to vary in detail from the specifications contained in this brochure.

NAV6 repeater Rev A 28/03/02 © 02 ICS Electronics Ltd.

ICS Electronics Ltd,

Unit V, Rudford Industrial Estate, Ford, Arundel, West Sussex BN18 0BD, England.

Telephone: +44 (0) 1903 731101 Facsimile: +44 (0) 1903 731105

Email: sales@icselectronics.co.uk Web Site: www.icselectronics.co.uk